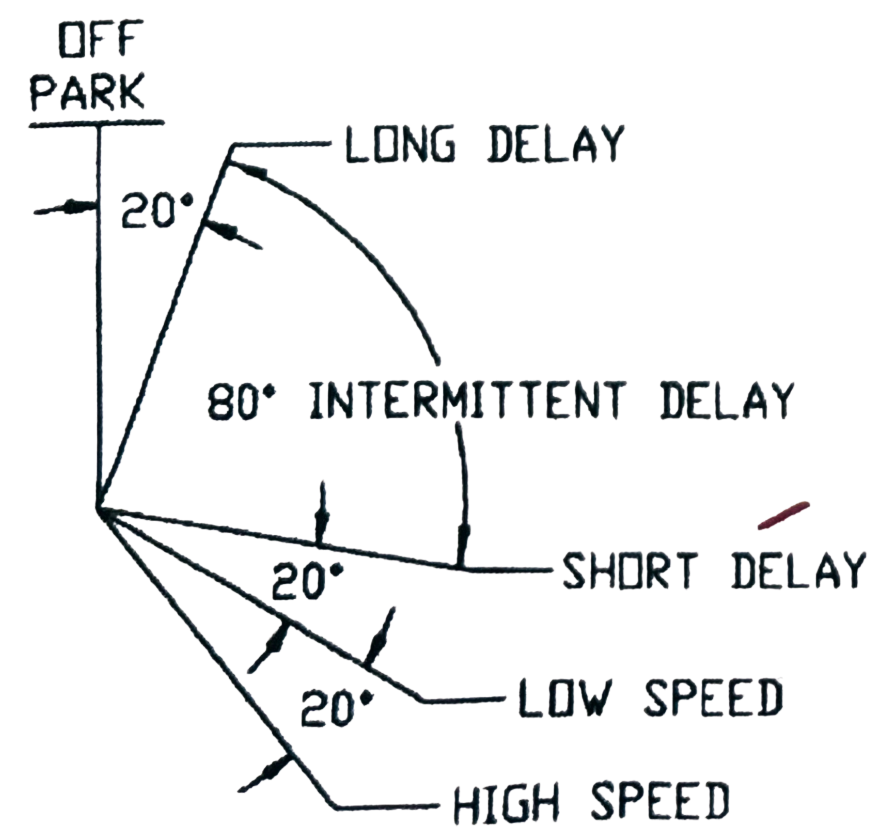


# Raingear

## Wiring Diagram 2 Speed w/ Intermittent Switch

### Installation Notes:

- This switch **cannot** be tested on a battery charger.
- The wire colors from the wiper motor and the wiper **harness do not** match — this is **correct**.
- Heat-shrink connectors are provided.
- Both black wires must be grounded, recommended separately.  
(One black wire from the switch and one black wire from the wire harness.)
- If a washer pump system is not installed, the brown wire end must be covered.



### Wiper Switch Operation:

- Turn knob to operate wipers and adjust speed.
- Definite detents — you will *hear and feel a click* between **OFF, INTERMITTENT, LOW, and HIGH**.
- Detents are stiff by design — don't be afraid to turn firmly.

### Washer Function:

- If running a washer system, push knob to activate washers.
- Wiper blades will automatically cycle twice.

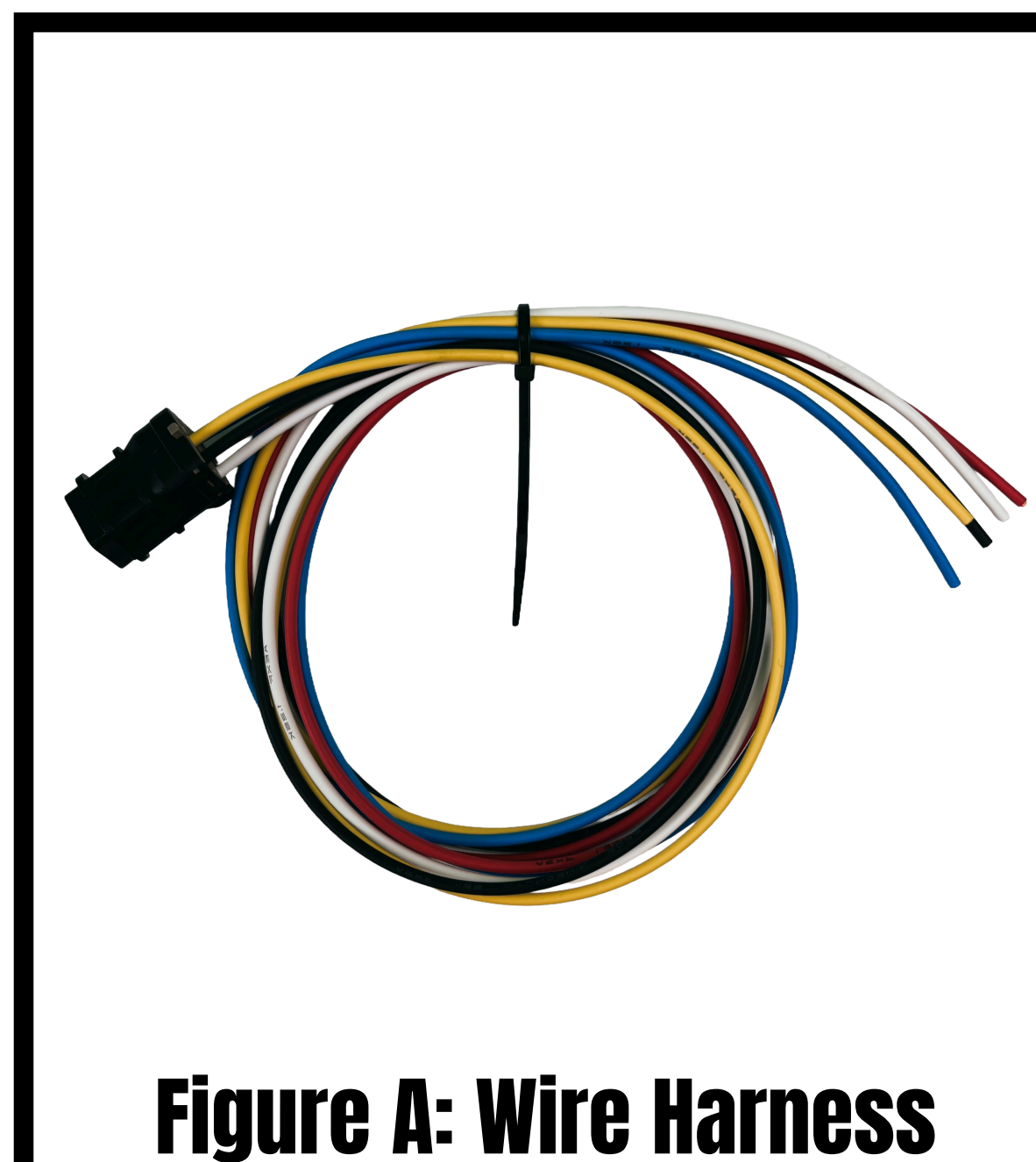
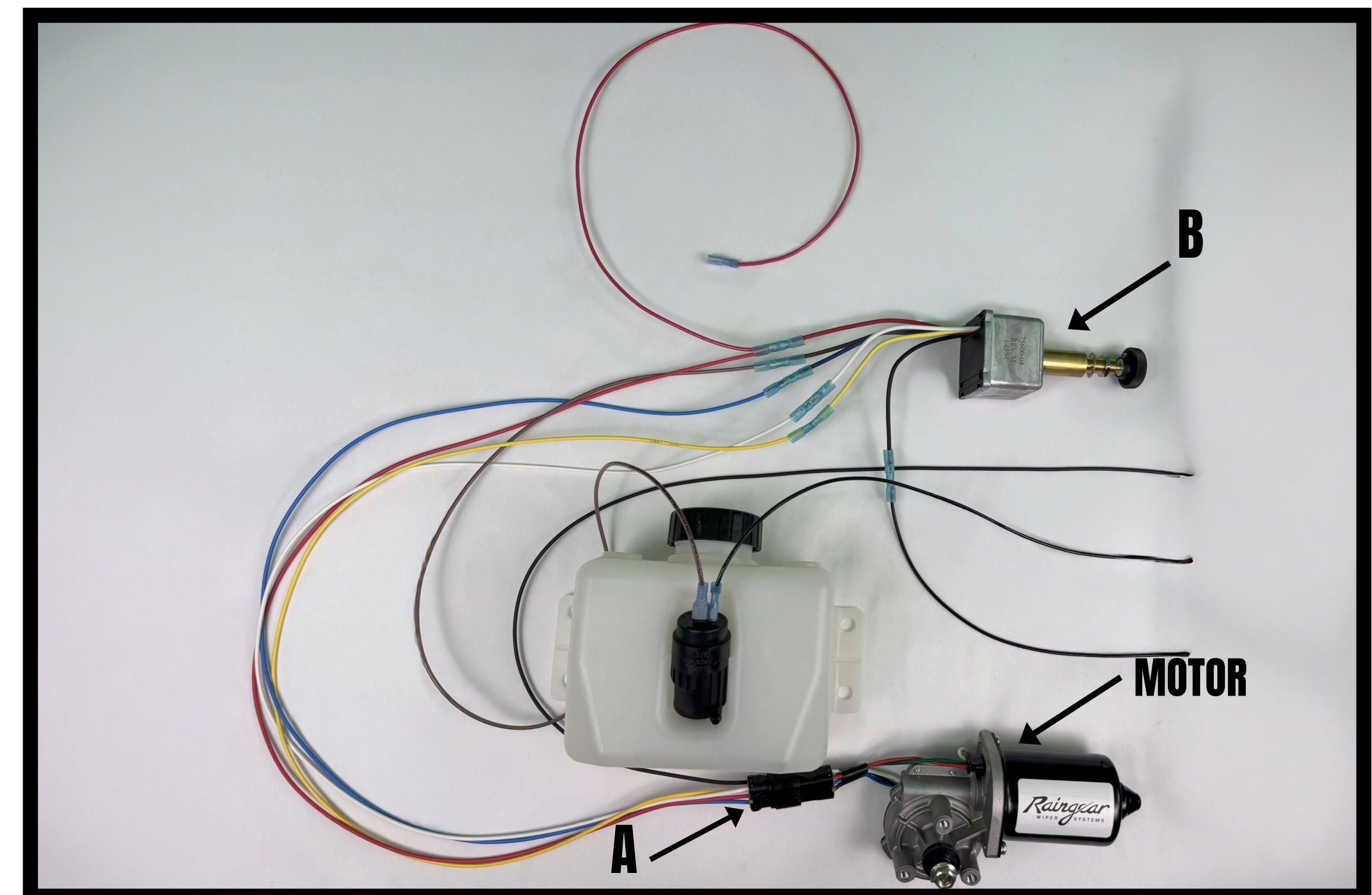
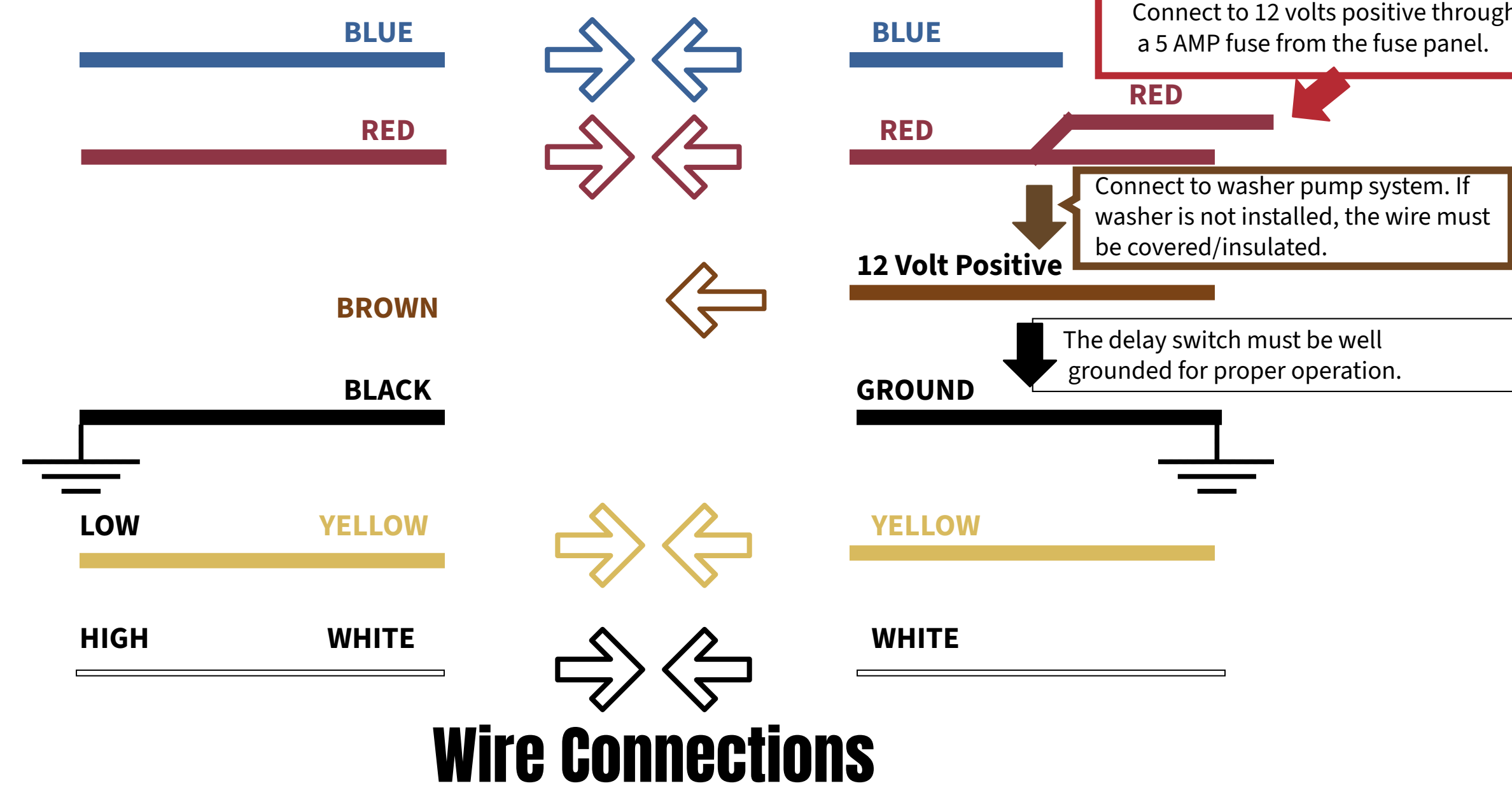


Figure A: Wire Harness



Wire Connections



Figure B: Wiper Switch